

| | | |
|------|-------|----|
| | | 1 |
| | | 1 |
| | | |
| 1-1 | | |
| 1-1 | | |
| 1- | | |
| 1- | | |
| 1- | | |
| 1- | | 11 |
| 1- | | 1 |
| 1- | | 1 |
| 1- | | 1 |
| 1- | | 1 |
| 1-10 | | 1 |
| 1-11 | | |
| 1-1 | | |
| 1-1 | | |
| 1-1 | | |
| 1-1 | | |
| 1-1 | | 0 |
| 1-1 | | |
| 1-1 | | |
| | | |
| -1 | | |
| -1 | | |
| - | | 0 |
| - | | 1 |
| - | | |
| - | | |
| - | | |
| - | | |
| - | | 1 |
| -10 | | |
| -11 | | |
| -1 | | |
| -1 | | |
| -1 | | 1 |
| -1 | | |
| -1 | | |
| -1 | | |
| -1 | | |
| | | 0 |

[2014] 55

- 1.
- 2.
- 3.
- 4.

--

--

| | | 1-1 | 1 | 1-1 | 1-1 |
|--|--|-----|---|-----|-----|
| | | -1 | 1 | -1 | -1 |
| | | -1 | 1 | -1 | -1 |

1

I/O

C

/

Kei I C

2

1

/ /

Kei I C

MCU

/ /

2

6S (

)

/

3

120

4

| | | | | |
|----|--|----|---|---|
| | | | | |
| | | | | |
| 20 | | 10 | 0 | |
| | | | | 1 |
| | | | | 2 |
| | | 10 | | 3 |
| | | | | 4 |
| | | | 5 | |

10

5

30

1



2

PCB

E

3

1



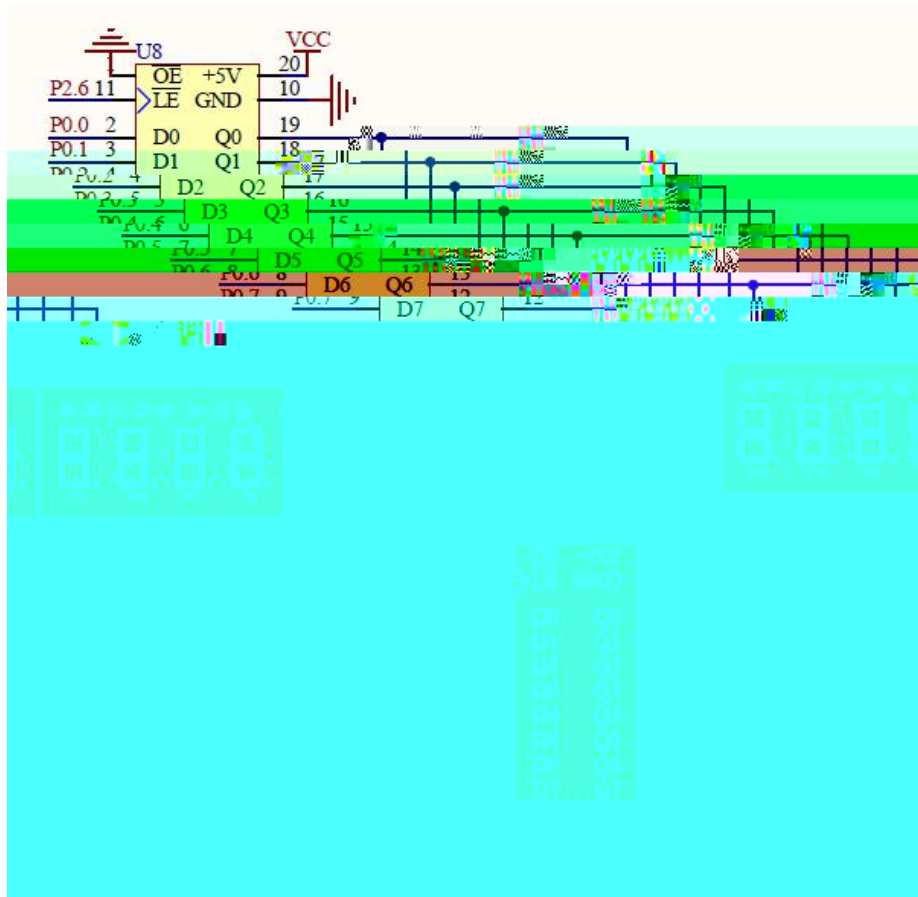
2

PCB

E

3

1



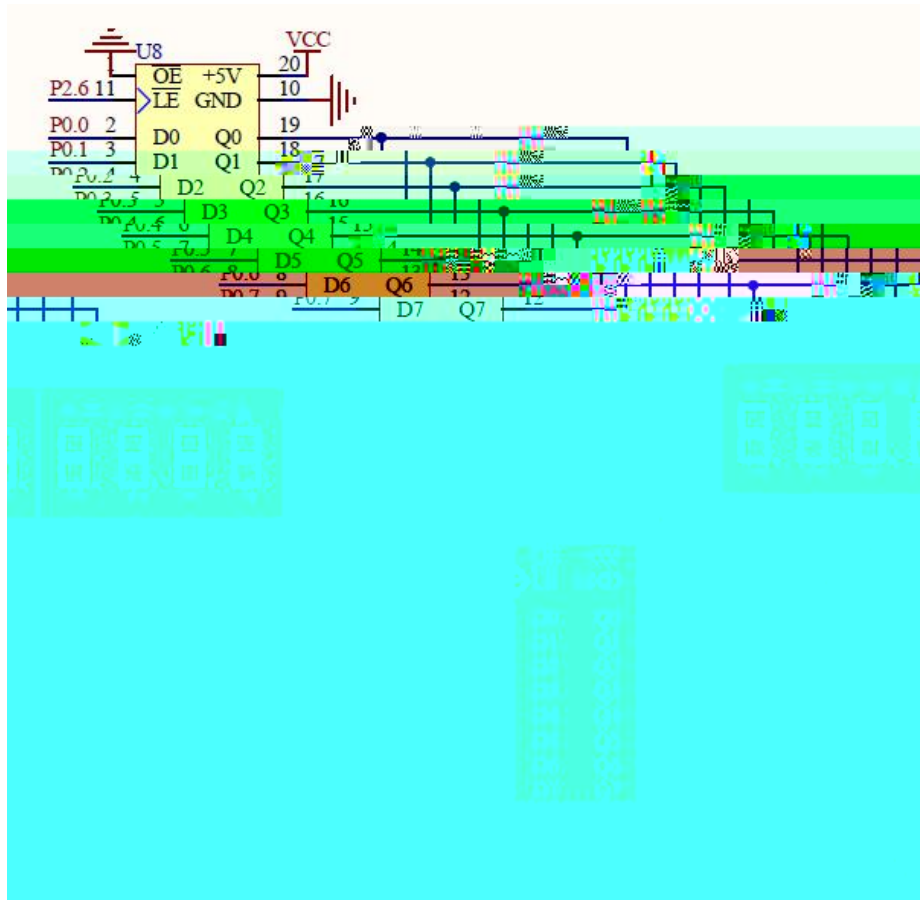
2

PCB

E

3

1



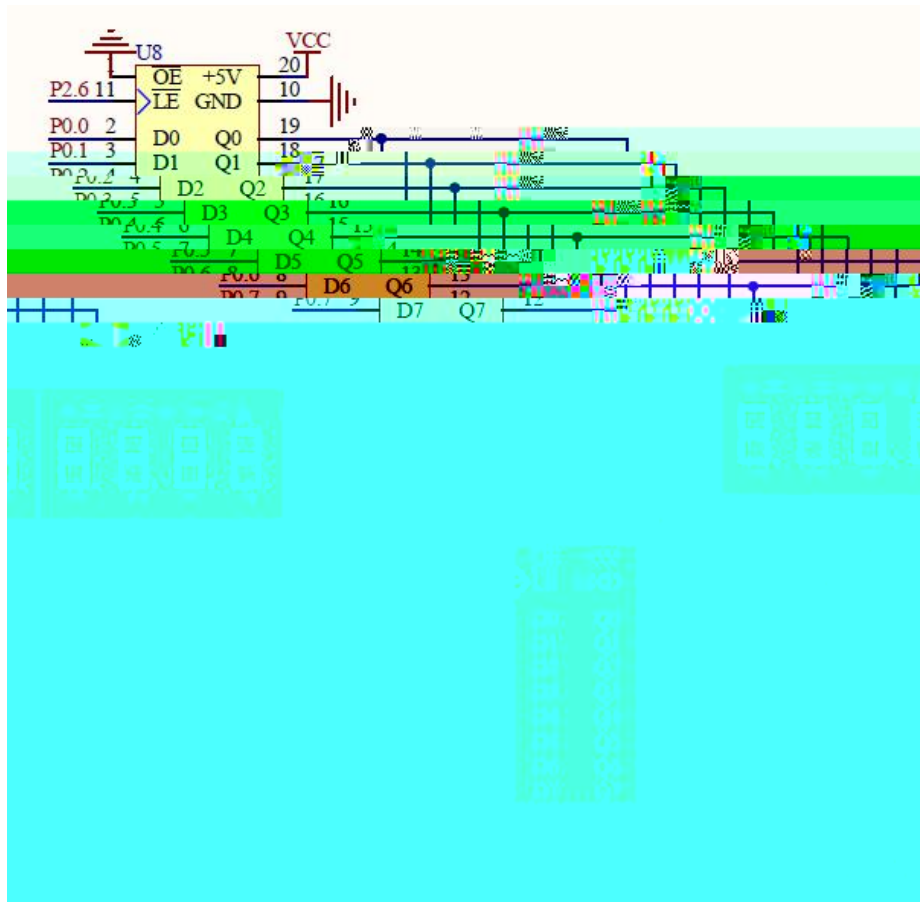
2

PCB

E

3

1



2

PCB

E

3

1

K1 8



2

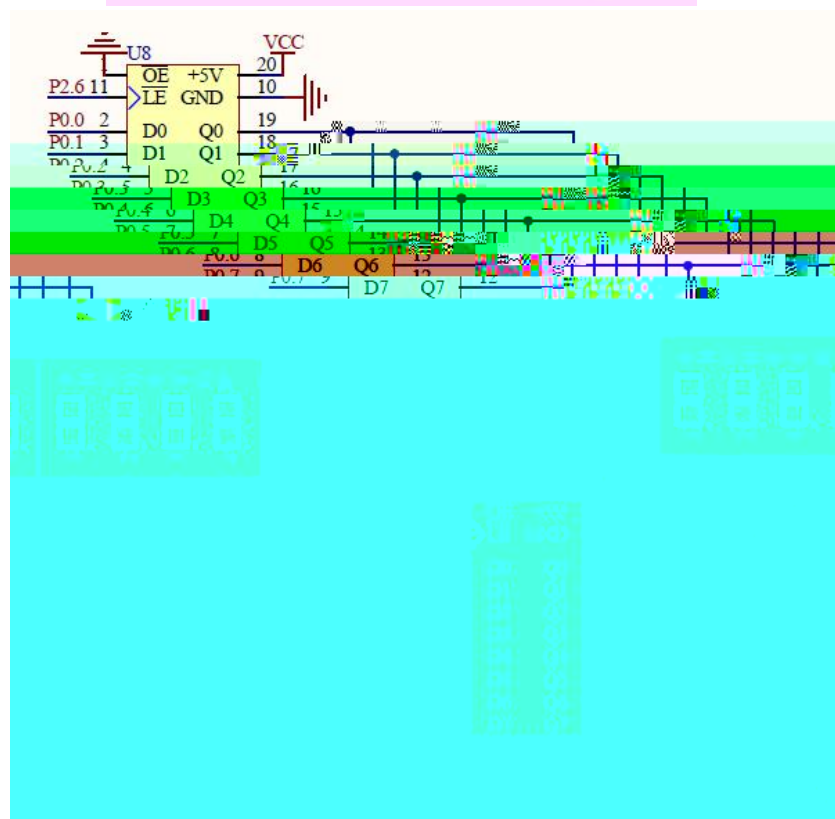
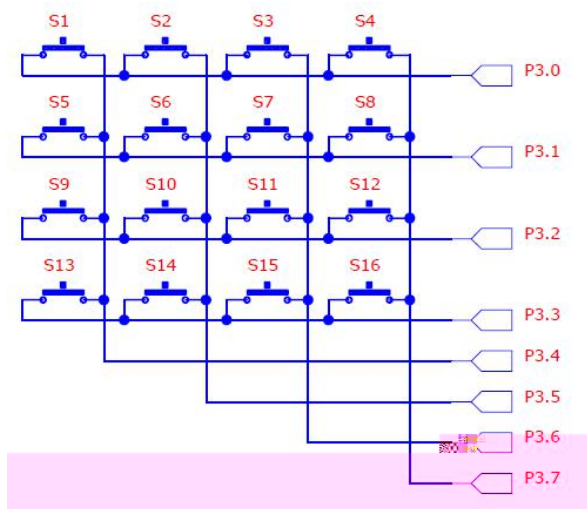
PCB
E

3

1

S1-S16

O-F



2

PCB

E

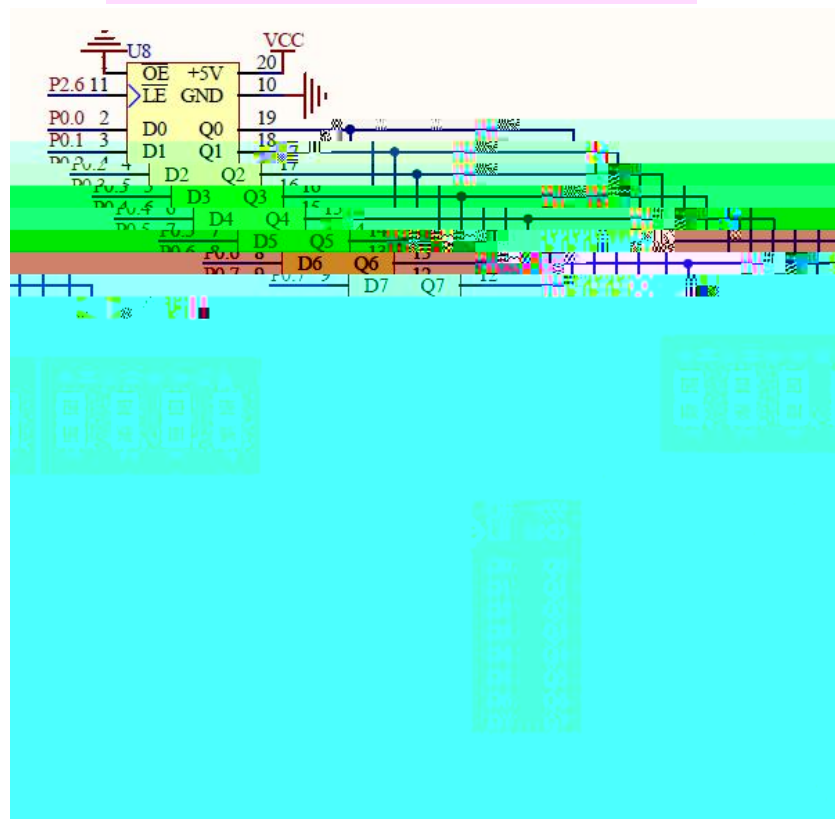
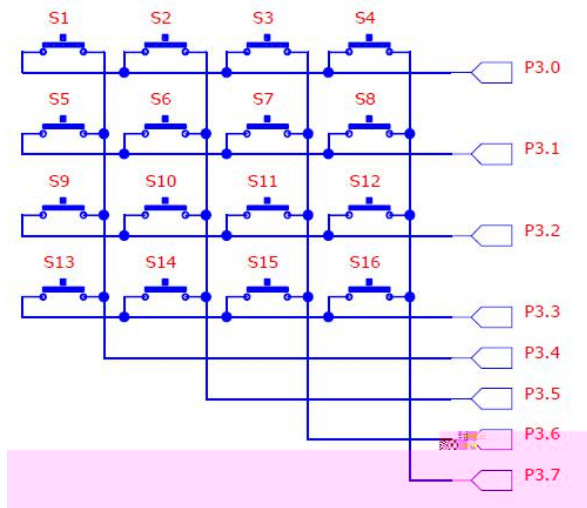
3

1

P3.2

9 0

1



2

PCB

E

3

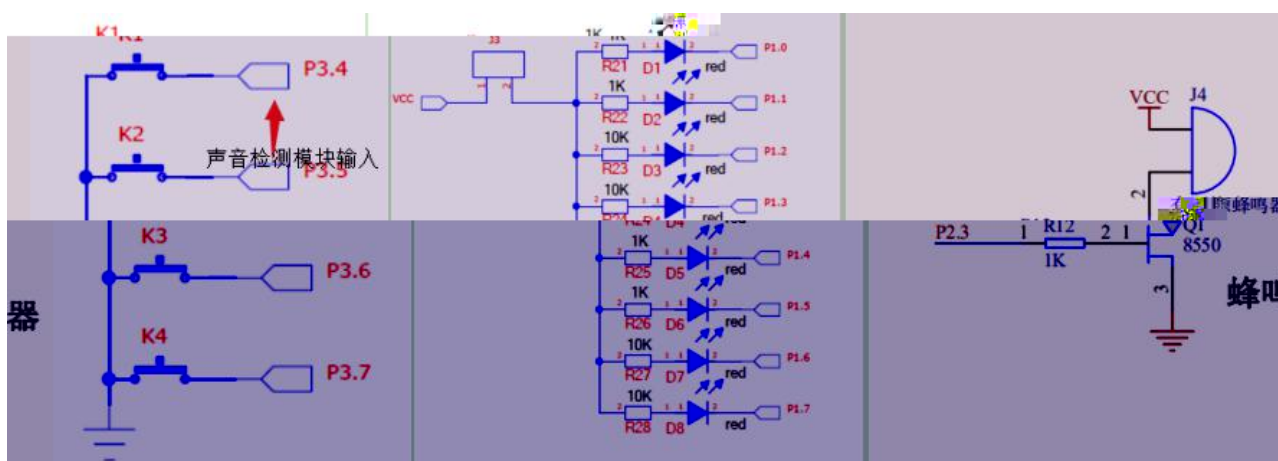
1

P3.4

1

P3.4

D1



1

2

PCB

E

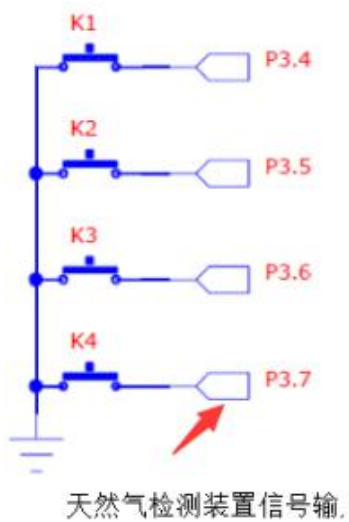
3

1

P3.7

1

P3.7



1

2

PCB
E

3

1

1

K1

D1

K2

D2



1

2

PCB

E

3

1

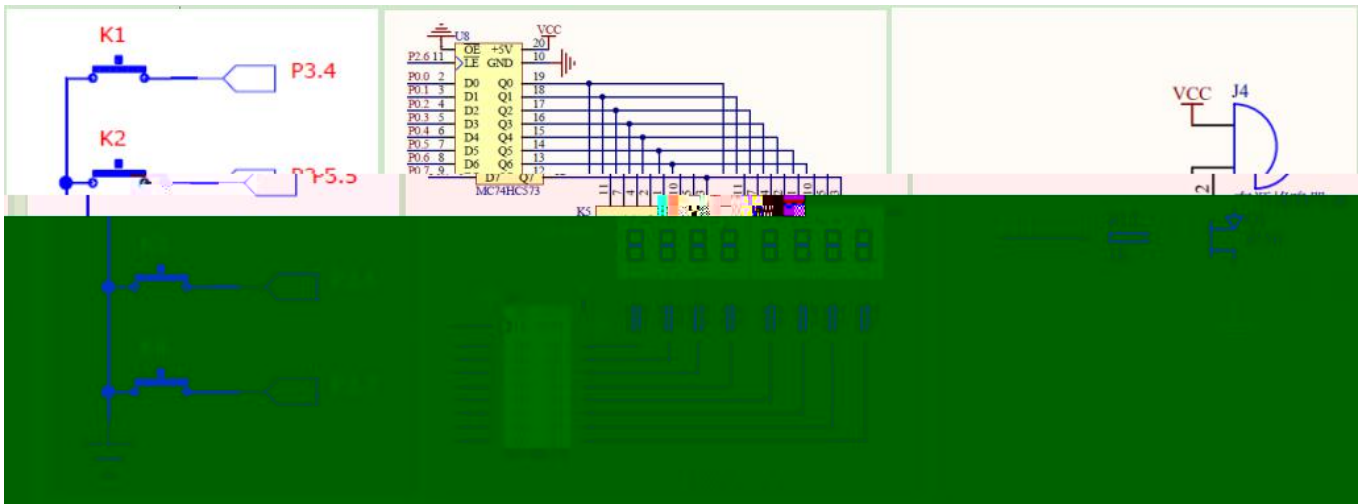
1

K1

K2 K3 K4

K1

" 1"



2

PCB

E

3

1

2



2

PCB

E

3

1

1

P3.6

P3.6



1

2

PCB

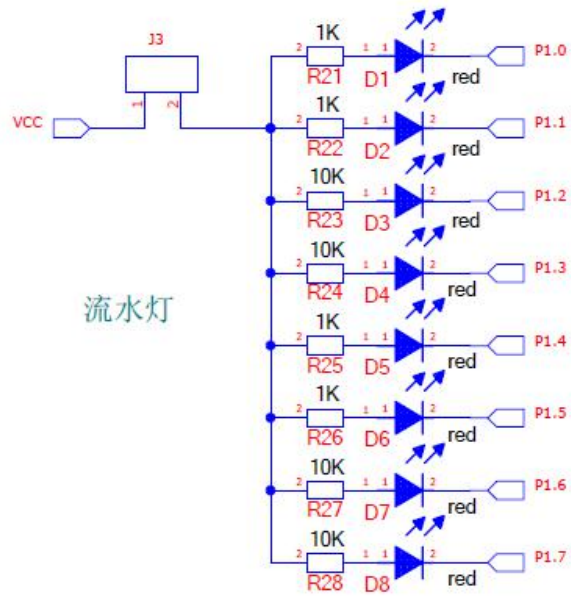
E

3

0

1

0.5S 0.5S



2

PCB

E

3

1

K1

D1-D4

K2

D5-D8



2

PCB

E

3

1

/ /

1

/ /

/ /

()

/

1 0

| | | | | | |
|----|--|----|---|--|---|
| | | | | | |
| | | | | | |
| 20 | | 10 | | | 0 |
| | | | 1 | | |
| | | 10 | 2 | | |
| | | | 3 | | |

| | | | | |
|----|--|----|-------------|-----|
| | | | 4 | |
| | | | 5 | |
| 30 | | 10 | | |
| | | 5 | | |
| | | 5 | | |
| | | 10 | | |
| 50 | | 5 | | |
| | | 5 | 1 2 | PCB |
| | | 10 | | |
| | | 15 | 1 2 3 | |
| | | 15 | | |

5

18

1



2

3

1



2

3

1



2

3

1



2

3

1



2



3

1

| | | | |
|----|--|---|----|
| 1 | VBAT | VDD | 64 |
| 2 | PC13/ANT1 | VSS | 63 |
| 3 | PC14/OSC32 | PB9/TIM4_CH4/SDIO_D5 | 62 |
| 4 | PC15/OSC32 | PB8/TIM4_CH3/SDIO_D4 | 61 |
| 5 | PD0/OSCIN | PA7/ADC12_4_DMA2/DM2 | 60 |
| 6 | PD1/OSCOUT | PA7/ADC12_4_DMA2/DM2 | 59 |
| 7 | NRES | PB6 I2C1_SCL/TIM4_CH2 | 58 |
| 8 | PC0/ADC10 | PB5 I2C1_SMBA/SPI3_MOSI/I2S3_SD | 57 |
| 9 | PC1/ADC11 | PB4 JNTRST/SPI3_MISO | 56 |
| 10 | PC2/ADC12 | PB3 JTD0/SPI3_SCK/I2S3_CK | 55 |
| 11 | PC3/ADC13 | PC2 U5_RX/TIM3_ETR/SDIO_CMD | 54 |
| 12 | VSSA | PC12 U5_TX/SDIO_CK | 53 |
| 13 | VDDA | PC11 U4_RX/SDIO_D3 | 52 |
| 14 | PA0/WKUP/ADC0/TIM2_CH1_ETR/TIM5_CH1/TIM8_ETR | PC10 U4_TX/SDIO_D2 | 51 |
| 15 | PA1/ADC1/TIM2_CH2/TIM5_CH2 | PA15 JTD1/SPI3_NSS/I2S3_WS | 50 |
| 16 | PA2 U2_TX/ADC2/TIM2_CH3/TIM5_CH3 | PA14 JTCK/SWCLK | 49 |
| 17 | PA3 U2_RX/ADC3/TIM2_CH4/TIM5_CH4 | VDD | 48 |
| 18 | VSS | VSS | 47 |
| 19 | VDD | PA13 JTAG_SWDIO | 46 |
| 20 | PA4 SPI1_NSS/ADC4/DAC1 | PA12 CAN_TX/USDP/TIM1_ETR | 45 |
| 21 | PA5 SPI1_SCK/ADC5/DAC1 | PA11 CAN_RX/USBD/TIM1_CH4 | 44 |
| 22 | PA6 SPI1_MISO/ADC6/TIM2_CH1/TIM2_BKIN | PA10 J1_RX/TIM1_CH3 | 43 |
| 23 | PA7 SPI1_MOSI/ADC7/TIM2_CH2/TIM2_CHN | PA9 J1_TX/TIM1_CH2 | 42 |
| 24 | PC4/ADC14 | PA8 TIM1_CH1/MCO | 41 |
| 25 | PC5/ADC15 | PC9 TIM5_CH4/SPI2_S1 | 40 |
| 26 | PB9/ADC8/TIM3_CH2/TIM2_CH2N | PC8 TIM5_CH3/SPI2_S0 | 39 |
| 27 | PB1/ADC9/TIM3_CH4/TIM2_CH2N | PC7 I2S5_MCK/TIM5_CH3/SPI2_S0T | 38 |
| 28 | PB2 BOOT1 | PC6 I2S5_MCK/TIM5_CH1/SDIO_C8 | 37 |
| 29 | PB10 U3_TX/I2C2_SCL | PB15 SPI2_MOSI/I2S2_SD/TIM7_CH1N | 36 |
| 30 | PB11 U3_RX/I2C2_SDA | PB14 SPI2_MISO/TIM7_CH2N | 35 |
| 31 | VSS | PB13 SPI2_SCK/I2S2_CK/TIM7_CH1N | 34 |
| 32 | VDD | PB12 SPI2_NSS/I2S2_WS/I2C2_SMBA/TIM7_BKIN | 33 |

2

3

1



2

3

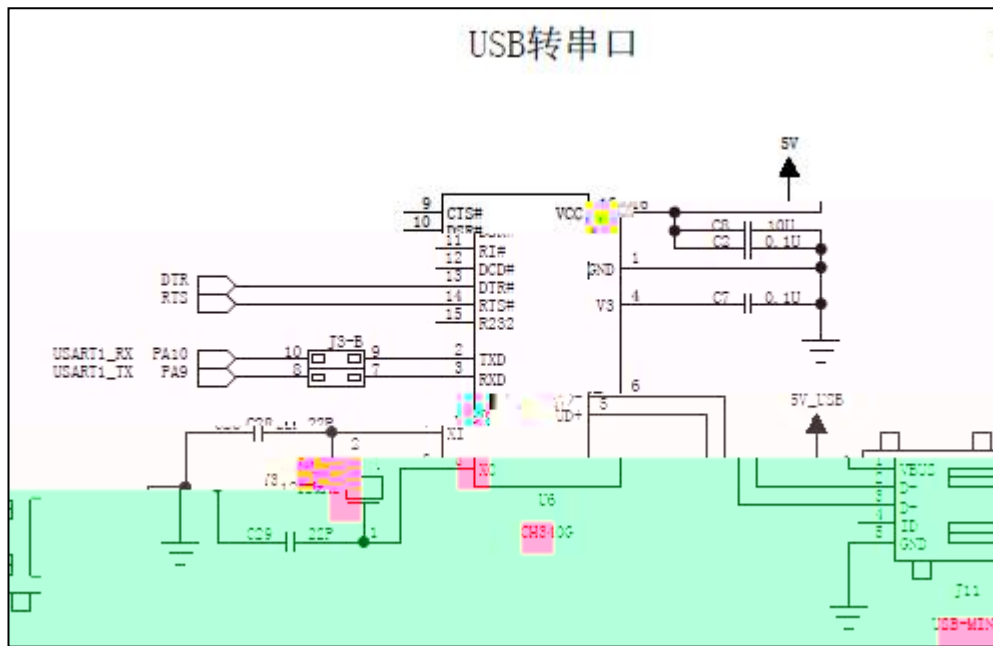
1

| | | | |
|----|--|----------------------|----|
| 1 | VBAT | VDD | 64 |
| 2 | PC13/ANT1 | VSS | 63 |
| 3 | PC14/OSC32 | PB9/TIM4_CH4/SDIO_D5 | 62 |
| 4 | PC15/OSC32 | PB8/TIM4_CH3/SDIO_D4 | 61 |
| 5 | PD0/OSCIN | | |
| 6 | PD1/OSCOUT | | |
| 7 | NRS* | | |
| 8 | PC0-ADC10 | | |
| 9 | PC1-ADC11 | | |
| 10 | PC2-ADC12 | | |
| 11 | PC3-ADC13 | | |
| 12 | VSSA | | |
| 13 | VDDA | | |
| 14 | PA0-WKUP-ADC0-TIM2_CH1-ETR-TIM5_CH1-TIM8-ETR | | |
| 15 | PA1-ADC1-TIM2_CH2-TIM5_CH2 | | |
| 16 | PA2-U2-TX-ADC2-TIM2_CH3-TIM5_CH3 | | |
| 17 | PA3-U2-RX-ADC3-TIM2_CH4-TIM5_CH4 | | |
| 18 | VSS | | |
| 19 | VDD | | |
| 20 | PA4-SPI1-NSS-ADC4-DAC1 | | |
| 21 | PA5-SPI1-SCK-ADC5-DAC2 | | |
| 22 | PA6-SPI1-MISO-ADC6-TIM2_CH1-TIM2-BKIN | | |
| 23 | PA7-SPI1-MOSI-ADC7-TIM2_CH2-TIM2-CHN | | |
| 24 | PC4-ADC14 | | |
| 25 | PC5-ADC15 | | |
| 26 | PE0-ADC2-TIM3_CH2-TIM8-CH2N | | |
| 27 | PE1-ADC6-TIM3_CH4-TIM8-CH3N | | |
| 28 | PB2-BOOT1 | | |
| 29 | PE10-U3-TX-I2C2_SCL | | |
| 30 | PE11-U3-RX-I2C2_SDA | | |
| 31 | VSS | | |
| 32 | VDD | | |
| 33 | | | |
| 34 | | | |
| 35 | | | |
| 36 | | | |
| 37 | | | |
| 38 | | | |
| 39 | | | |
| 40 | | | |
| 41 | | | |
| 42 | | | |
| 43 | | | |
| 44 | | | |
| 45 | | | |
| 46 | | | |
| 47 | | | |
| 48 | | | |
| 49 | | | |
| 50 | | | |
| 51 | | | |
| 52 | | | |
| 53 | | | |
| 54 | | | |
| 55 | | | |
| 56 | | | |
| 57 | | | |
| 58 | | | |
| 59 | | | |
| 60 | | | |
| 61 | | | |
| 62 | | | |
| 63 | | | |
| 64 | | | |

2

3

1

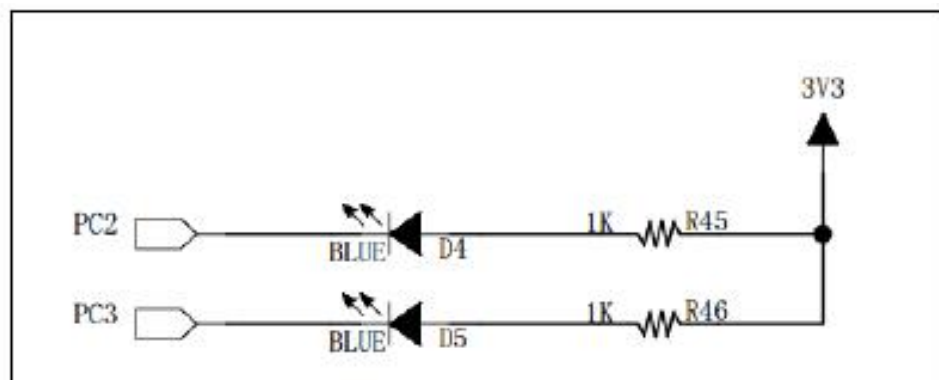
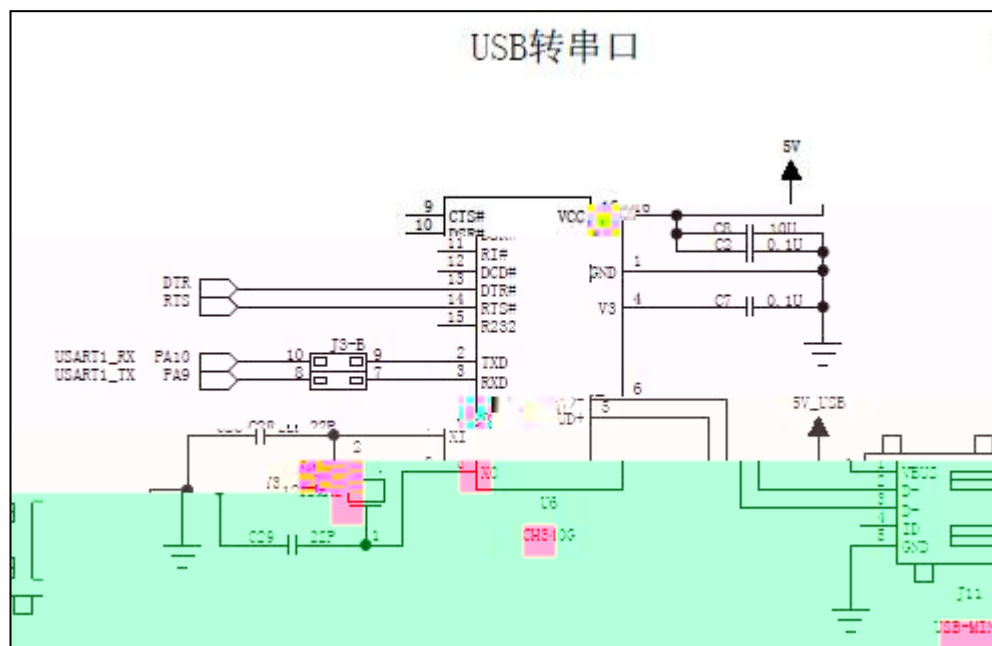


2

3

-

1



2

3

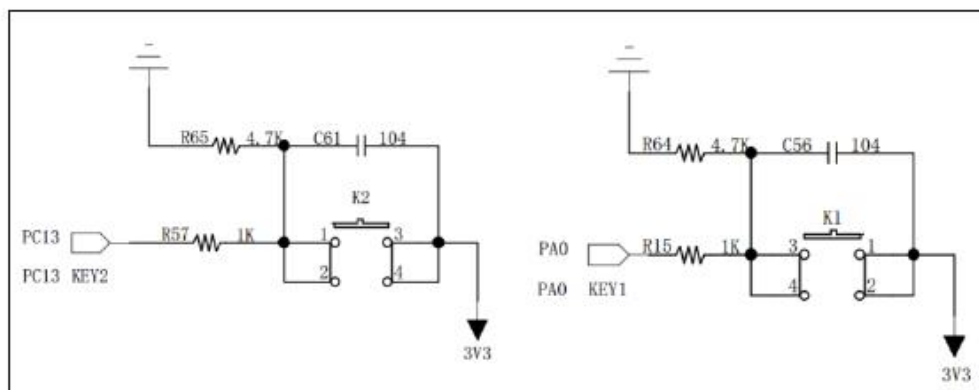
-

THE UNIVERSITY OF

THE STATE OF TEXAS

SYSTEM

1

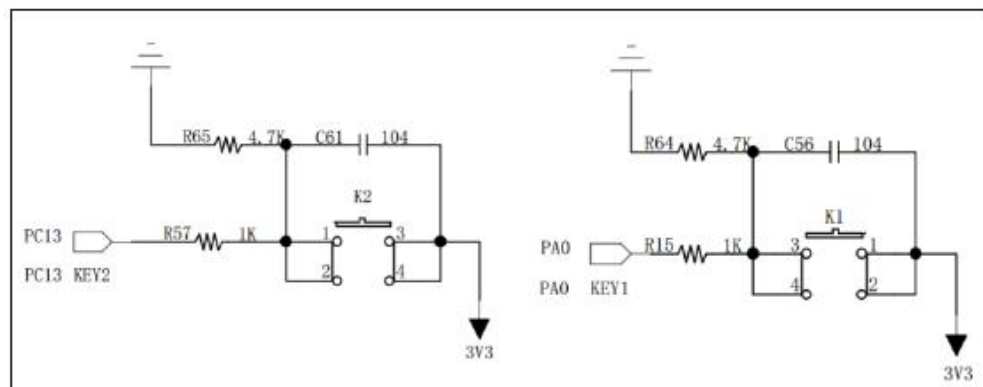
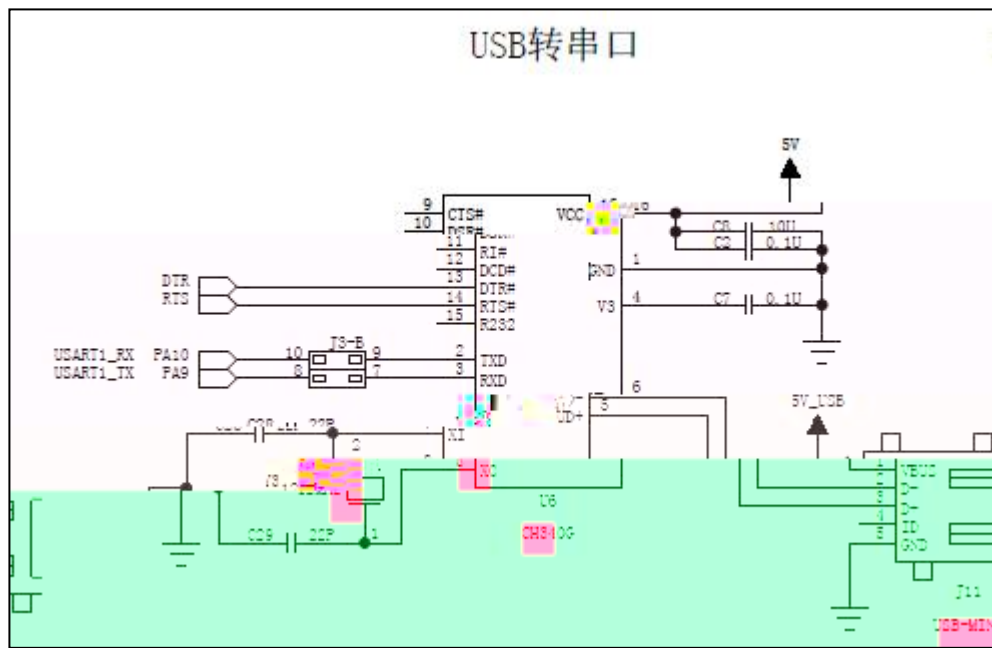


2

3

-

1



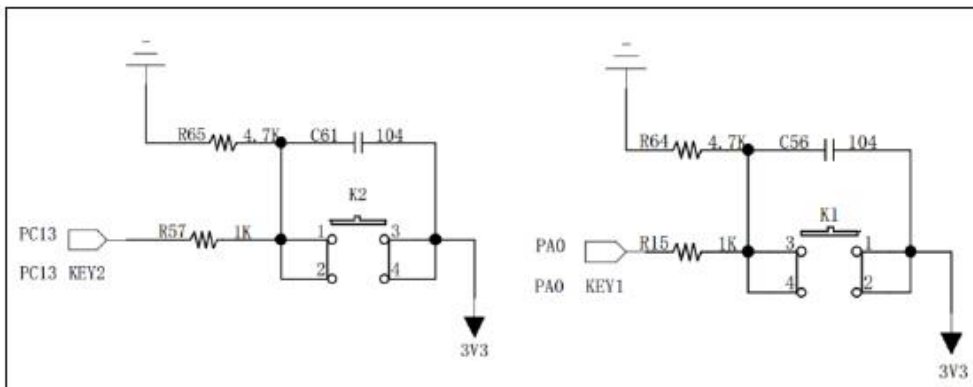
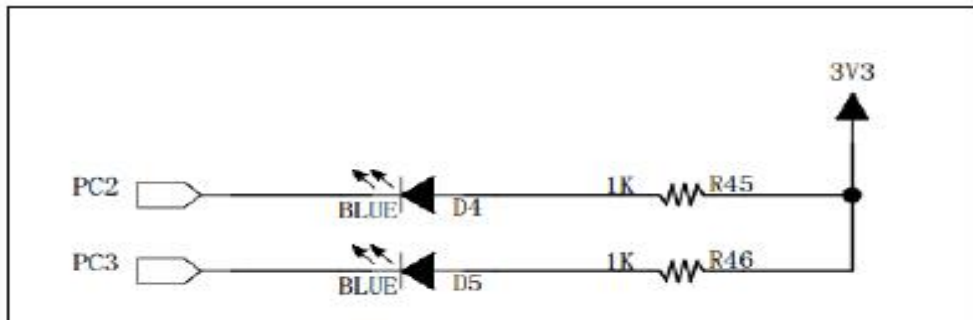
2

3

-

3

-



2

3

-

1



2

3

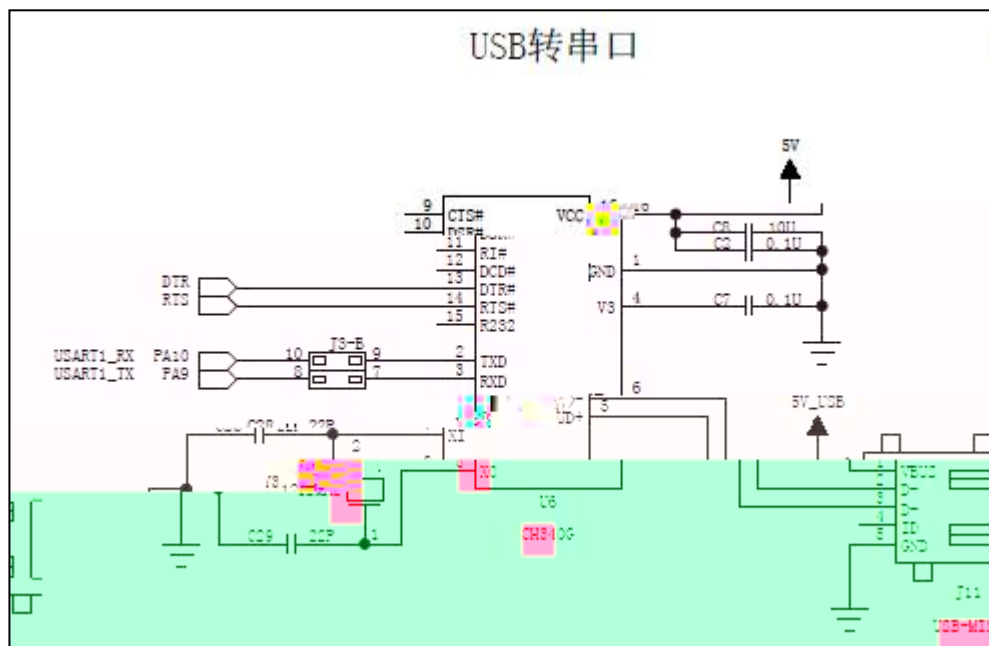


2

3

-

1



2

3

-

1

1

1

1 / / .0

/ /

()

/

1 0

| | | | | | | |
|----|--|----|---|--|---|--|
| | | | | | | |
| | | | | | | |
| 20 | | 10 | | | 0 | |
| | | | 6 | | | |
| | | | 7 | | | |
| | | 10 | 8 | | | |
| | | | 9 | | | |

| | | | | |
|----|--|----|----|--|
| | | | 10 | |
| 30 | | | 1 | |
| | | | | |
| | | 10 | | |
| | | 10 | | |
| 50 | | | | |
| | | 10 | | |
| | | | | |
| | | | | |

5

18

1

2

20sp

RGB

#FF0000

欢迎光临



3

:

2
1



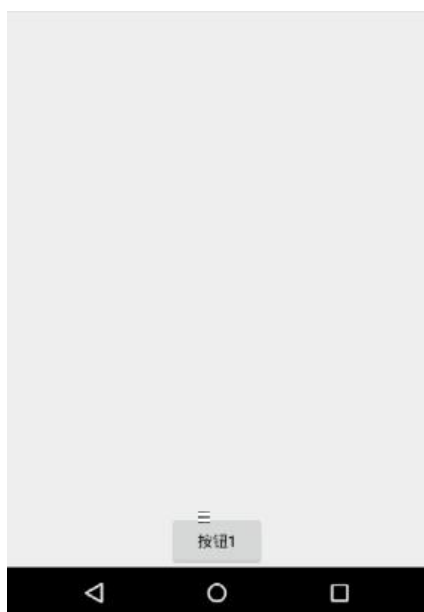
3 :

1

2

1

2



3

:

TextVi ew

2

1



3

1

2



3

2

1

2



3

1

1 1 1 1

2

1

2

1 1 1 1



3

1

2

1



3

1

2

1

2



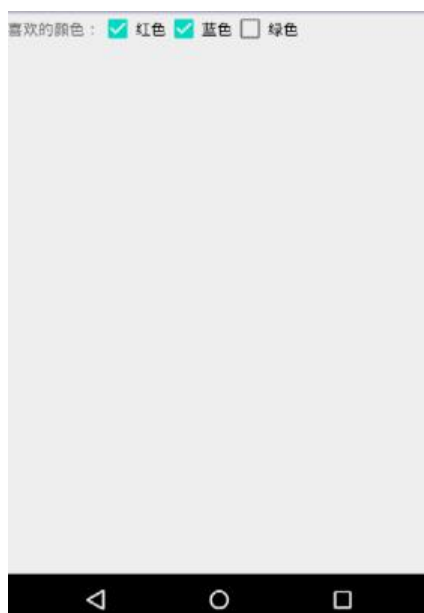
3

1

2

1

2

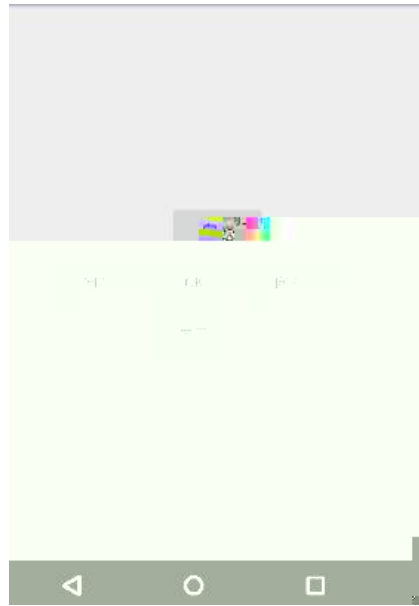


3

1

2

1



3

1

LED

2

1

2

3

TextView LED



3

1

LED

2

1

2

3

TextView LED



3

1

LED

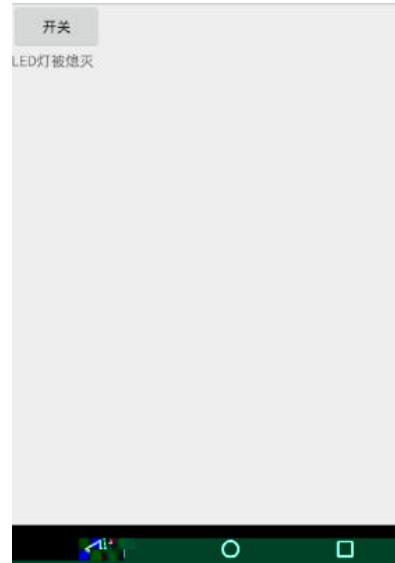
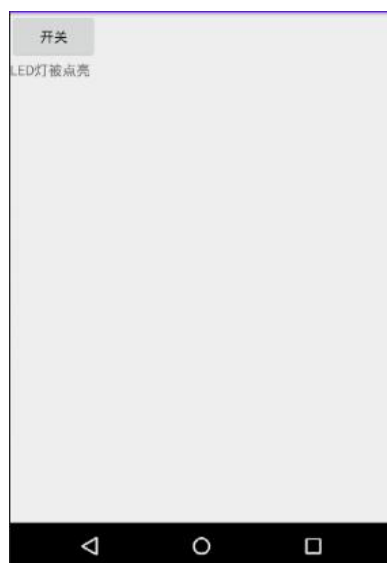
2

1

2

3

TextView LED



3

1

LED

2

1

2

3

4

TextVi ew



3

1

LED

2

1

2

3

4

ImageView

30dp*30dp



3

1

2

1

2



3

1

2

1

2



3